

BITUMEN MEMBRANE BITUMAX 3MM



Description:

APP-modified bitumen membrane BITUMAX Mineral is designed for installation as the top layer in double-layer roofing system on buildings and constructions. Can be used for new construction or repair.

The material withstands temperature fluctuations and high mechanical loads providing a long-term, reliable and effective waterproofing. APP polymer provides additional flow resistance that makes it possible to use the material in a very hot climate.

On the bottom side, the material is covered by a polymer film with special graphic elements, melting of which indicates the proper material heating. On the top side, the material is covered by a coarse-grained slate with special hydrophobic treatment that protects the material from damage by ultraviolet radiation during the whole service life of the membrane.

General requirements:

Rolls of the material should be stored indoors in a dry place in their original packaging and taken to the construction site ready to use.

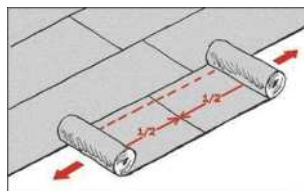
Keep the rolls upright and do not stack pallets.

Falls or other mechanical impacts should be avoided during transportation and storage.

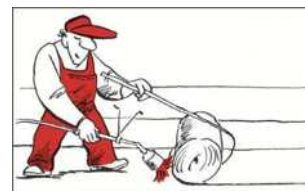
The application surface must be cleaned of dust, debris, grease, leaves, oil and should not have gaps and cracks or other irregularities to ensure proper adhesion of the membrane.

Installation:

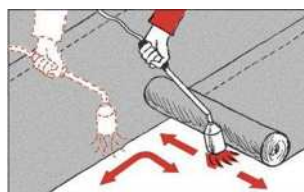
FLAT ROOF



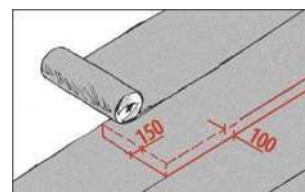
Roll out and align the membranes, then re-roll them tightly from both sides towards the centre.



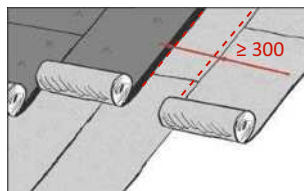
Heat the base and the bottom side of material at the same time to get a small bitumen flow.



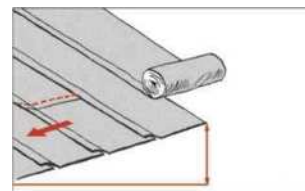
Heat the material and the base on all width of the roll, overlaps must be heated additionally.



Longitudinal overlaps should be 100 mm; end overlaps should be not less than 150 mm.



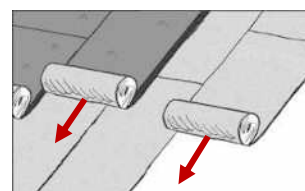
Cap sheet membrane should be positioned at a distance of min. 300 mm from overlaps of underlay membrane.



On roofs with a slope <15% membranes are rolled out perpendicularly to the water flow, ≥15% - along the water flow.



In places of end overlaps of the cap sheet membrane the top side of the material (with slate) must be additionally heated by torch. Then the slate is pressed into bitumen by spatula to increase the adhesion of the following roll.



NOTE: Cap sheet membrane is installed in the same way as underlay membrane. It is forbidden to install roll materials in a crossway.

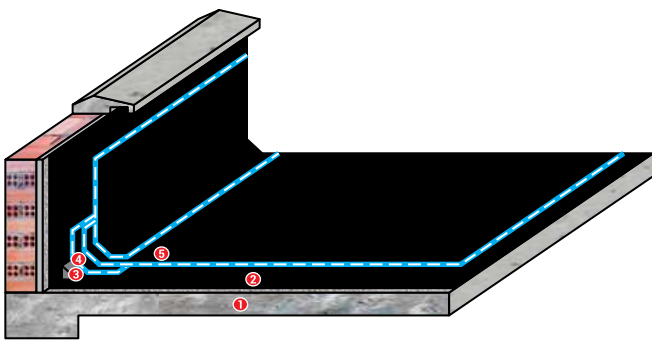
BITUMEN MEMBRANE BITUMAX 3MM

System solutions:

EXPOSURE WATERPROOFING

WATERPROOFING LAYERS

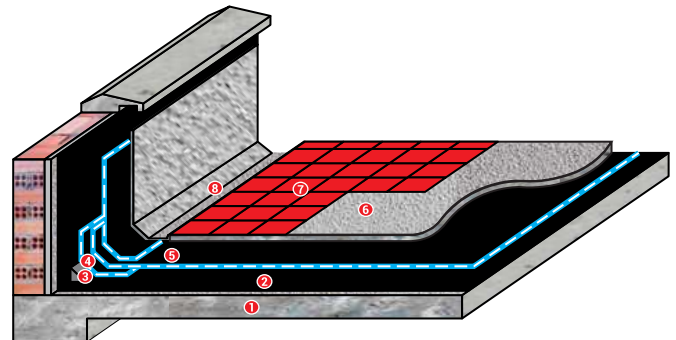
1. Concrete floor
2. Primer layer: Primer SB / Nirol W
3. Chamfering using mortar mix Latex
4. Corner reinforcement Bitumax 3mm Mineral
5. Waterproofing layer Bitumax 3mm Mineral



NON EXPOSURE WATERPROOFING

WATERPROOFING LAYERS

1. Concrete floor
2. Primer layer: Primer SB / Nirol W
3. Chamfering using mortar mix Latex
4. Corner reinforcement Bitumax 3mm PE/Sand
5. Waterproofing layer Bitumax 3mm PE/Sand
6. Screed layer
7. Tile layer
8. Drainage ditch



Product modifications

Product name	Roll dimensions, m	Mass per unit area, kg/m ²	Thickness, mm
Bitumax 3mm	10 x 1	4.0±0.20	3.0±0.10*

*Values are given for reference and not as a subject of declaration.

Declared performance:

Properties	Test method	Declared performance
Carrier type and weight	-	polyester
Maximum tensile force L / T, N/50mm	EN 12311-1 (ASTM D5147)	600±150 / 400±150
Elongation L / T, %	EN 12311-1 (ASTM D5147)	30±15 / 30±15
Nail shank tear resistance L / T, N	EN 12310-1	180±50 / 180±50
Tear resistance L / T, N	ASTM D4073	300±100 / 300±100
Flow resistance at elevated temperature, °C	EN 1110 (ASTM D5147)	≥ +130
Flexibility at low temperature, °C	EN 1109-1 (ASTM D5147)	≤ 0
Protection of the top side	-	coarse-grained slate
Protection of the bottom side	-	polymer film

Footnotes: L / T – Longitudinal / Transverse